

Name _____

Review Chapter 6

1. $150 / 3 =$

2. $320 / 4 =$

3. $3,600 / 9 =$

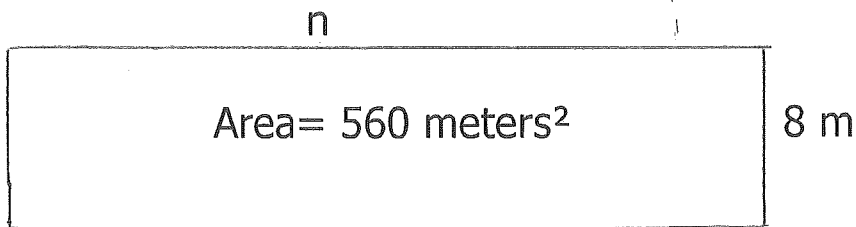
4. $240 / 60 =$

5. $49 / 3 =$

6. $8,232 / 7 =$

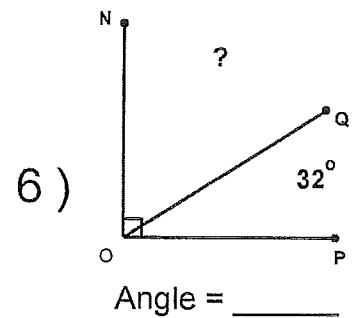
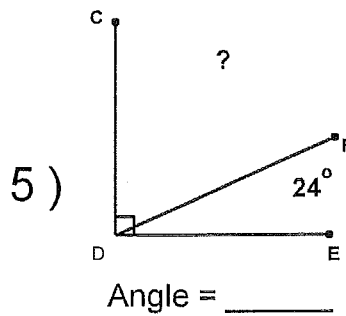
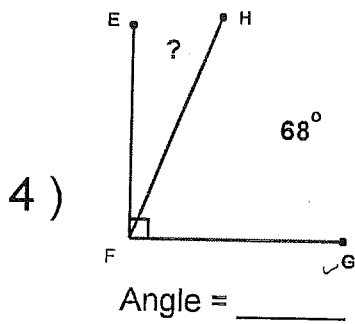
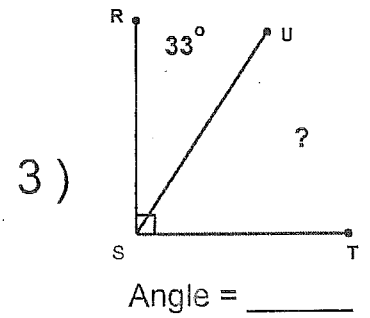
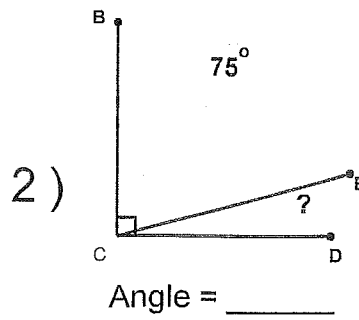
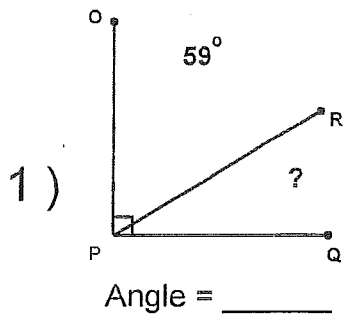
7. $2,406 / 3 =$

8. Find the length and perimeter of the rectangle below.

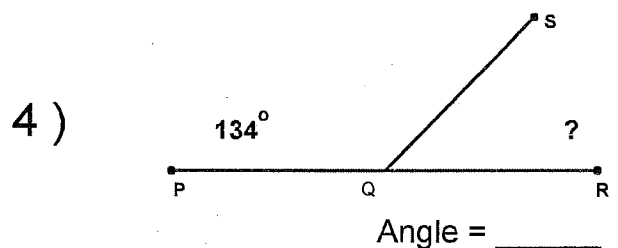
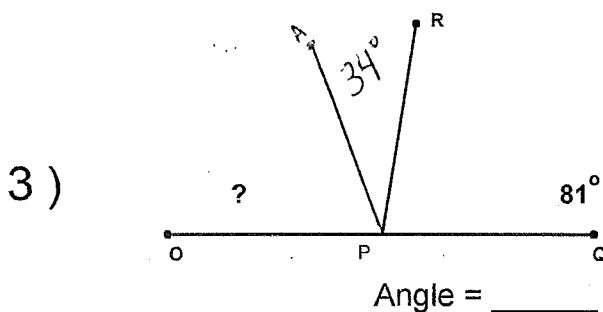
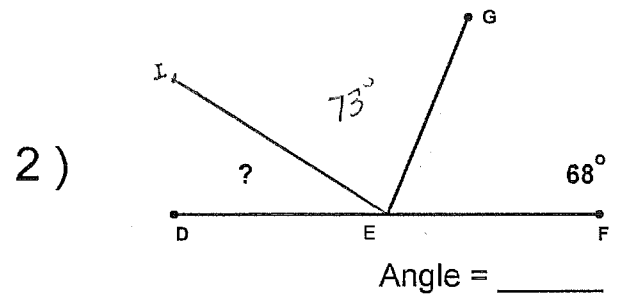
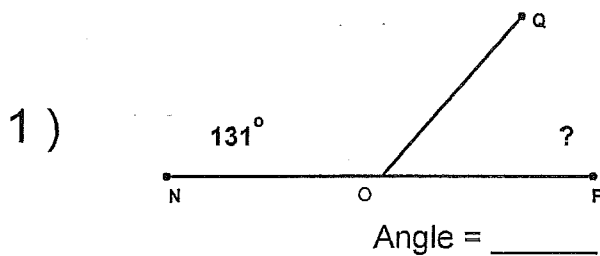


Length $n =$ _____ Perimeter = _____

Find the missing angle measurement in each set of complementary angles, without using a protractor.

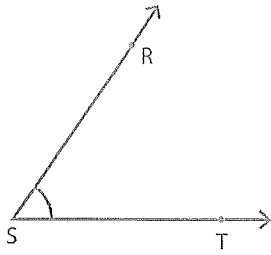


Find the missing angle measurement in each set of supplementary angles, without using a protractor.



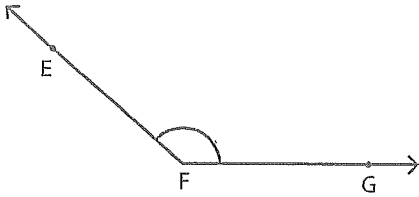
Measure each angle using protractor.

1)



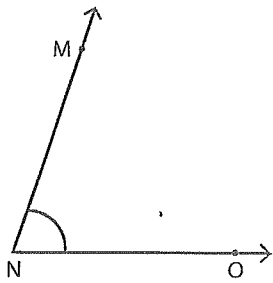
$\angle RST =$ _____

3)



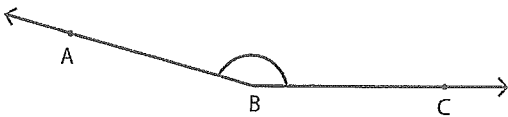
$\angle EFG =$ _____

5)



$\angle MNO =$ _____

7)



$\angle ABC =$ _____

Draw each angle using protractor.

1) 125°



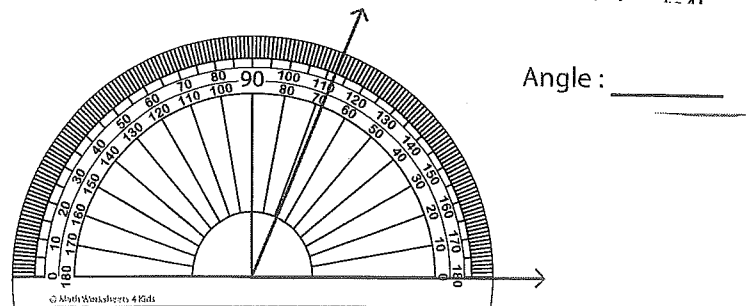
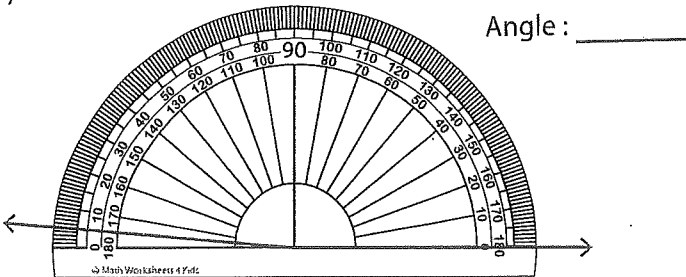
3) 66°



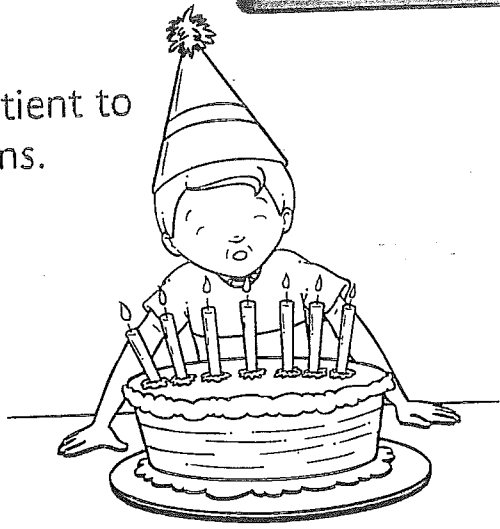
5) 155°



7)



Use either the remainder or the quotient to help you answer these story problems.



1. Tanner is having a birthday party. He has 13 party favors. He wants to give 2 to each guest. How many guests can Tanner invite?

2. Max brought balloons for everybody at the birthday party. He bought 10 balloons. How many balloons will be left over if 7 people are at the party?

3. Kemry loves birthday cake. She wants to share the cake equally with 6 guests and herself. There are 19 pieces of cake cut. How many pieces will each person get?

4. Quincey received a small bag of jellybeans as a gift. There are 83 jellybeans in the bag. He wants to share them equally among 7 people. How many will each person get?